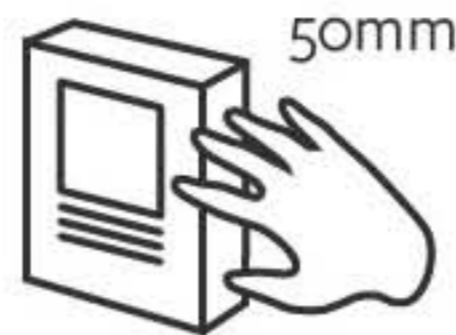


INGRESS PROTECTION (IP) RATINGS GUIDE

SOLIDS

WATER

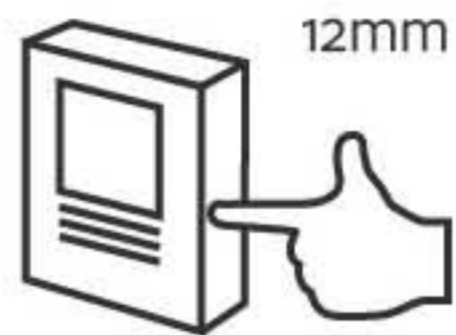
1 Protected against a solid object greater than 50mm such as a hand.



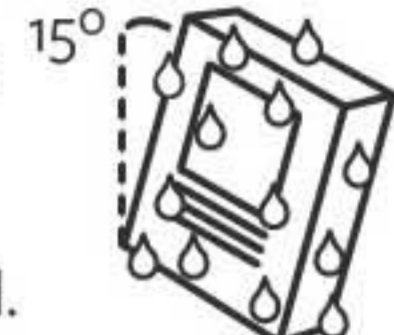
1 Protected against vertically falling drops of water. Limited ingress permitted.



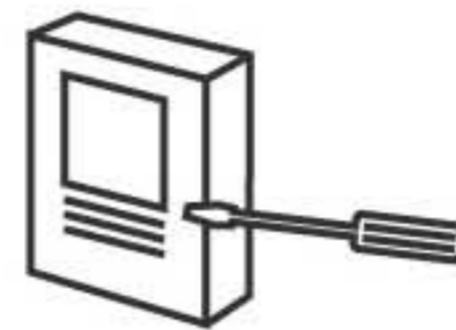
2 Protected against a solid object greater than 12.5mm such as a finger.



2 Protected against vertically falling drops of water with enclosure tilted up to 15 degrees from the vertical. Limited ingress permitted.



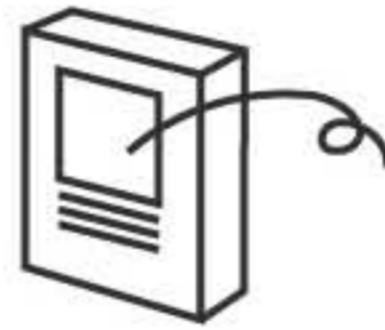
3 Protected against a solid object greater than 2.5mm such as a screwdriver.



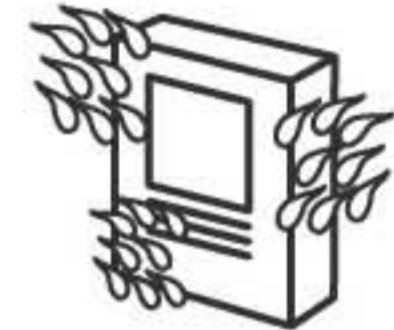
3 Protected against vertically falling drops of water. Limited ingress permitted.



4 Protected against a solid object greater than 1mm such as a wire.



4 Protected against sprays of water up to 60 degrees from the vertical. Limited ingress permitted for three minutes.



5 Dust Protected. Limited ingress of dust permitted. Will not interfere with operation of the equipment. Two to eight hours.



5 Protected against jets of water. Limited ingress permitted.



6 Dust tight. No ingress of dust. Two to eight hours.



6 Water from heavy seas or water projected in powerful jets shall not enter the enclosure in harmful quantities.



7 Protection against the effects of immersion in water between 15cm and 1m for 30 minutes.



8 Protection against the effects of immersion in water under pressure for long periods.



9 Protection against the effects of high pressure and temperature water jet.

