

## DATA SHEET

# 24" Rugged PanelPC

Rugged PanelPC for US/Canada Class I Div 2/Zone 2 and ATEX/IECEX Zone 2 Areas



## Features

- Ruggedized and Versatile Enough to Meet the Most Demanding Real World Applications
- Fanless Design
- -35°C to 60°C Standard Operating Temperature
- IP65 Front, NEMA 4/4X
- Hardened Scratch-Resistant GFG Touch Screen
- Integrated Intel i7 6th Generation Processor
- Engineered for 24/7 Operation and use

# Specifications

## COMPUTER

Processor .....	Latest generation i7 Quad Core processor
Memory .....	Up to 16 GB DDR4-2133 SODIMM Non ECC Memory
Hard Drive .....	Dual Solid State, Field Replaceable, RAID 0/1
Available Connections .....	(3) USB, (2) 1GB Ethernet, (2) RS232/485 Serial, HDMI, Audio In/Out (Stereo) (2) CANbus (optional)
Connection Type .....	Screw Connection, Terminal Blocks
Operating System.....	Win7, Windows Embedded Standard, Win10 Pro, Win10 IoT
MTBF .....	80 Khrs @ 65°C

## DISPLAY

Native Resolution .....	24" (LED): 1920 x 1080
Touch Screen .....	Hardened Resistive (> Mohs 5 Glass Surface) Anti Scratch Surface, GFG T.S.
Viewing Angle .....	170° (left or right) 160° (up and down)
Response Time .....	5 ms
Maximum Colors .....	16.7 million (8-bit)
Aspect Ratio .....	16:9
MTBF .....	80 Khrs @ 65°C
Available Connections .....	(3) USB, (2) 1 GB Ethernet, (2) RS232/485 Serial, HDMI
Cable Connection Type .....	Screw Connection Terminal Blocks

## POWER

Input Voltage .....	10-36 VDC Auto Ranging
Power Consumption .....	115W Max
DC Power In/Out.....	Reverse Polarity Protected
DC/AC Voltage Protection .....	Transient Voltage Suppression

## ENVIRONMENTAL

Operating Temperature.....	-35°C to 60°C (-31° to 140°F)
Storage Temperature .....	-40° to 85°C (-40° to 185°F)
Shock .....	10 G, 11 ms Pulse, 3 Axis
Vibration .....	2 - 13 Hz, Displacement +/- 1.5 mm, 3 axis 13 - 100 Hz Acceleration +/- 10 M/ Sec <sup>2</sup> (1g), 3 Axis

## STANDARDS & CERTIFICATION

Hazardous Area.....	US/Canada Class I Div 2/Zone 2 and ATEX/IECEX Zone 2 Areas
Green Product.....	RoHS (2002/95/EC, 2011/65/EU), WEEE (2002/96-EC)

## PHYSICAL CHARACTERISTICS

Construction .....	Manufactured From Corrosion Resistant Materials: Aluminum, 316 Stainless Steel
Weight.....	35.0 lbs. (15.8 kg)
Overall Dimensions .....	25.25"W x 16.00"H x 4.50"D (470mm x 394mm x 94mm)
Mounting .....	Panel Mounted 316 Stainless Steel <i>Contact STRONGARM for additional custom mounting solutions</i>
Cable Entry.....	(1) M20 316SS Area Rated Cable Gland (10-14 mm) (4) M20 316SS Area Rated Cable Gland (7-12 mm)

## WARRANTY & SERVICE

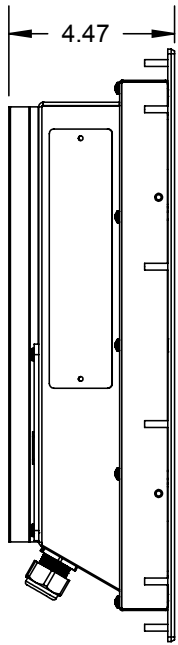
Serviceability.....	Site Serviceable Parts, Request Manual for Detailed List
Warranty .....	2 Year

To learn more about the 24" Rugged PanelPC:

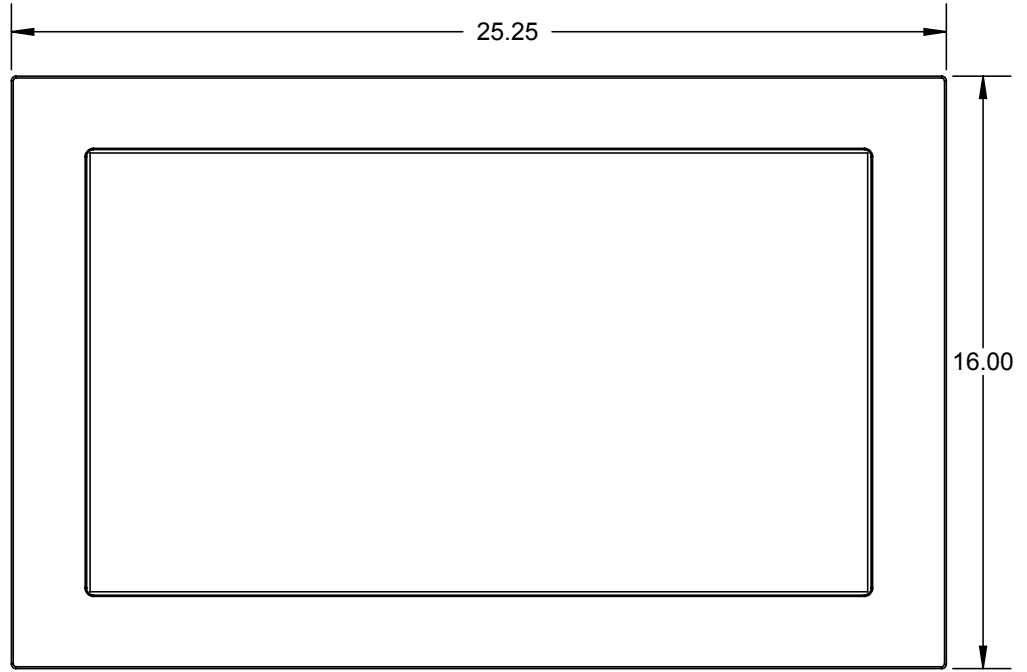
- Call us at 215.443.3400
- email us at [sales@strongarmenergy.com](mailto:sales@strongarmenergy.com)
- Visit us at [strongarmenergy.com](http://strongarmenergy.com)

**STRONGARM**<sup>®</sup>energy

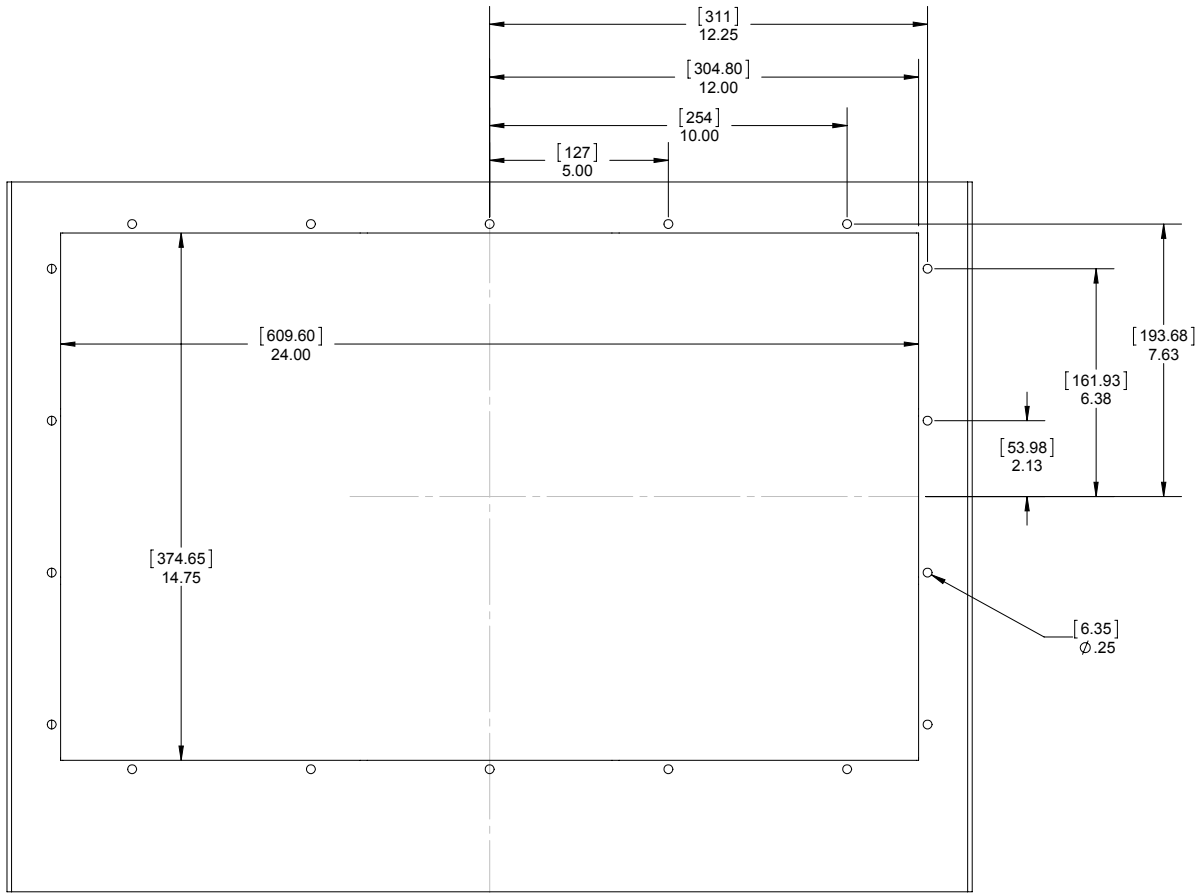
# Dimensions



Side View

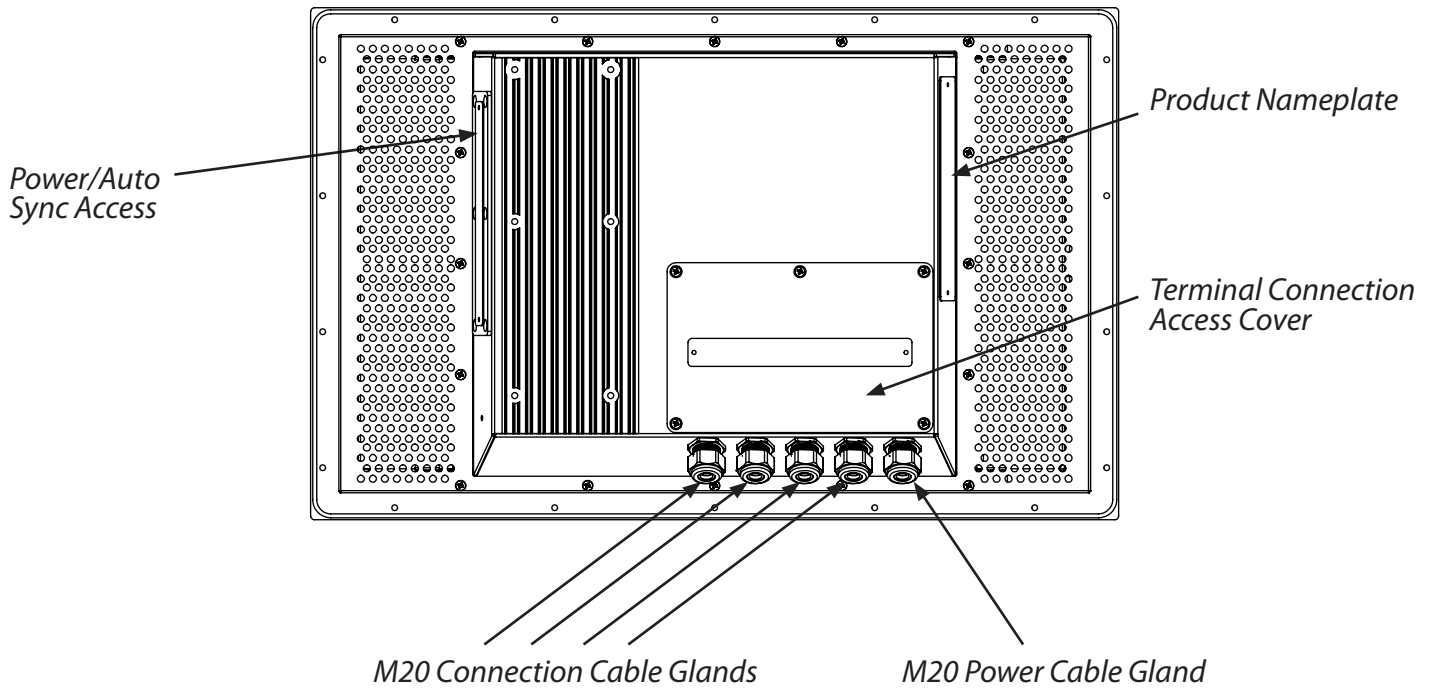
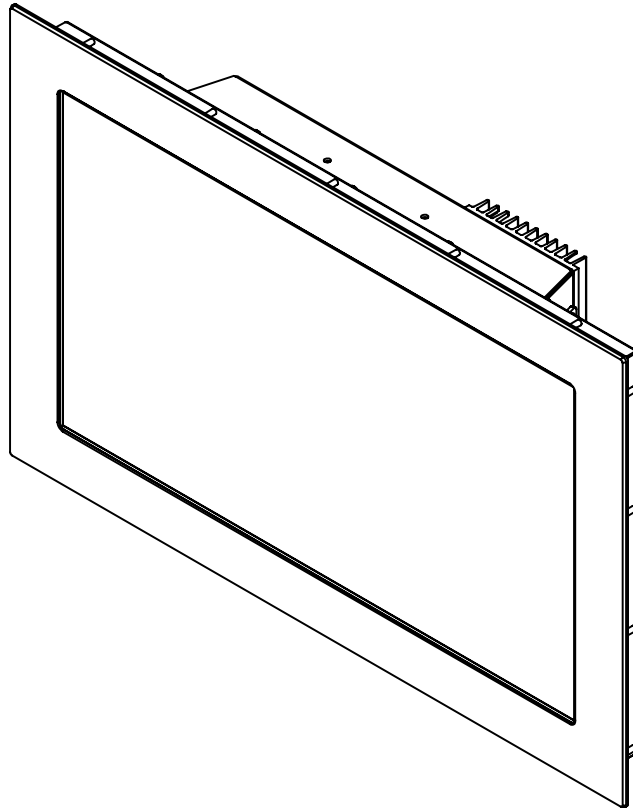


Front View



Cut-Out Dimensions

# Features & Options



**STRONGARM**<sup>®</sup>energy