

# Vulcan™

Rugged Outdoor Panel PC for US/Canada Class I Div 2/Zone 2 and ATEX/IECEX Zone 2 Areas



### Features

- Ruggedized and Versatile enough for any HMI application
- Integrated Intel i7 3rd Generation processor with LED Auto Dimming Backlit Display
- -35°C to 60°C Standard Operating Temperature
- 100mm VESA Mounting Pattern, Panel Mount, or Rig Mount
- NEMA 4X, IP66 Rating

# Specifications

## COMPUTER

Processor .....	Latest generation i7 Quad Core processor
Memory .....	Up to 16 GB DDR3-1600 SODIMM Non ECC Memory
Hard Drive .....	Dual Solid State, Field Replaceable, RAID 0/1
Additional Removable Storage .....	Compact Flash
Available Connections .....	(3) USB, (2) 1GB Ethernet, (2) RS232/485 Serial, VGA, Speaker (2) CANbus (optional)
Connection Type .....	Screw Connection Terminal Blocks
Operating System .....	WinXP, Win7, Windows Embedded Standard
MTBF .....	80 Khrs @ 65°C
Diagnostics .....	Power, HDD Activity, TS Activity, Backlight Enable

## DISPLAY

Native Resolution .....	15.1" (LED): 1024 x 768 XGA 19.1" (LED): 1280 x 1024 SXGA
Brightness .....	> 1000 NIT with Automatic Dimming to 300 NITS in Low Light
Touch Screen (optional) .....	Hardened Resistive (> Mohs 5 Glass Surface) Anti Scratch Surface, GFG T.S.
Viewing Angle .....	170° (left to right) 160° (up and down)
Response Time .....	5 ms
Maximum Colors .....	16.7 million (8-bit)
Aspect Ratio .....	15.1": 4:3 19.1": 5:4

## POWER

Input Voltage .....	100-240 VAC - 50/60 Hz or 10-36 VDC Auto Ranging
Power Consumption .....	115W Max
DC Power In/Out .....	Reverse Polarity Protected
DC/AC Voltage Protection .....	Transient Voltage Suppression

## ENVIRONMENTAL

Operating Temperature .....	-35° to 60°C (-31° to 140°F)
Storage Temperature .....	-40° to 85° C (-40° to 185° F)
Shock .....	10 G, 11 ms Pulse, 3 Axis
Vibration .....	2 - 13 Hz, Displacement +/- 1.5 mm, 3 Axis 13 - 100 Hz Acceleration +/- 10 M/ Sec2 (1g), 3 Axis

## STANDARDS & CERTIFICATION

NEMA Rating .....	NEMA 4X, IP66
Hazardous Area .....	US/Canada Class I Div 2/Zone 2 and ATEX/IECEx Zone 2 Areas
Green Product .....	RoHS (2002/95-EC, 2011 165-EC), WEEE (2002/96-EC)

## PHYSICAL CHARACTERISTICS

Construction .....	Manufactured From Corrosion Resistant Materials: Aluminum, Stainless Steel
Weight .....	15.1": 19.5 lbs (8.5 kg) 19.1": 28.3 lbs (12.8 kg)
Overall Dimensions .....	15.1": 16.50" x 13.50" x 3.97" (419mm x 343mm x 101mm) 19.1": 18.50" x 15.50" x 4.53" (470mm x 394mm x 115mm)
Mounting .....	VESA 100, Panel Mount (optional), Rig Mount (optional) Contact STRONGARM for additional custom mounting solutions
Cable Entry .....	(1) M20 316SS Area Rated Cable Gland (10-14 mm) (4) M20 316SS Area Rated Cable Gland (7-12 mm)

## WARRANTY & SERVICE

Serviceability .....	Site Serviceable Parts, Request Manual for Detailed List
Warranty .....	3 Year (1 Year on LCD Panel)

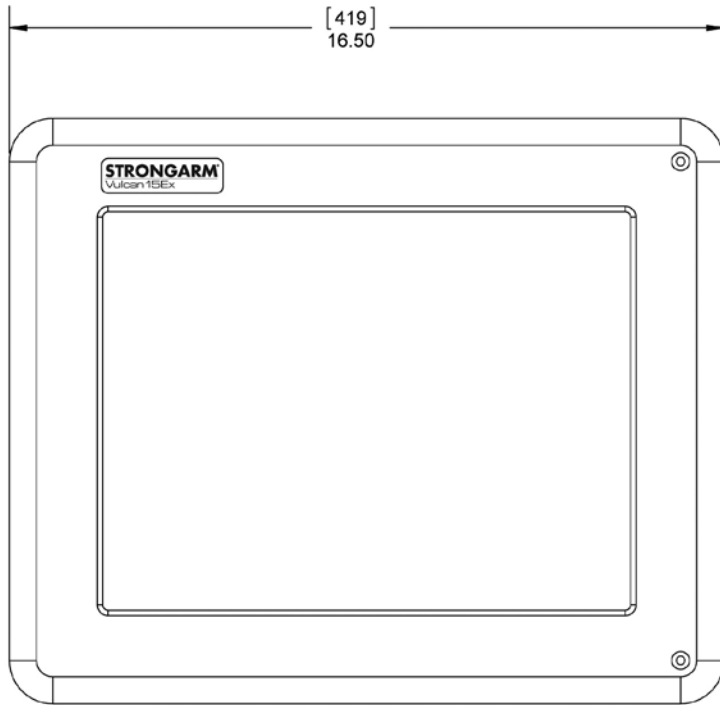
**To learn more about the Vulcan Rugged Outdoor PanelPC:**

- Call us at 215.443.3400
- email us at [sales@strongarm.com](mailto:sales@strongarm.com)
- Visit us at [strongarm.com](http://strongarm.com)

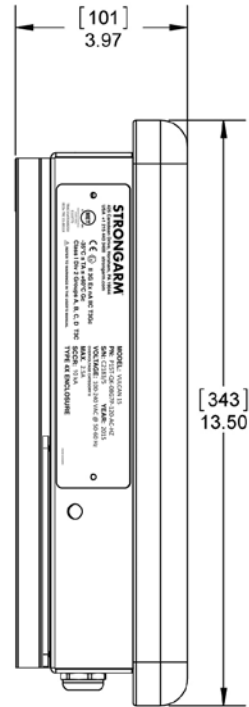
**STRONGARM®**

# Dimensions

## 15" Vulcan

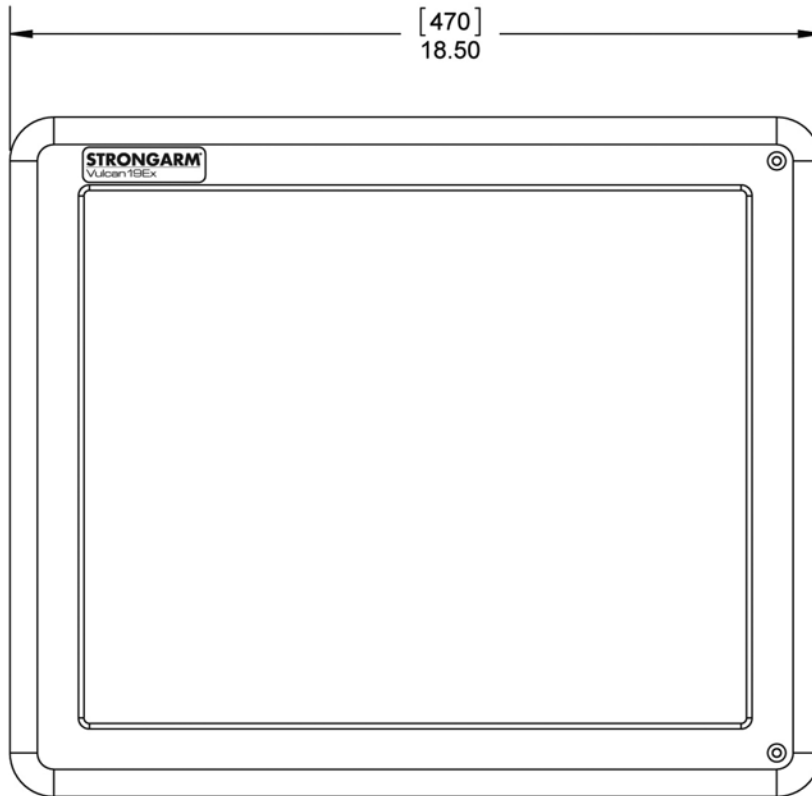


Front View

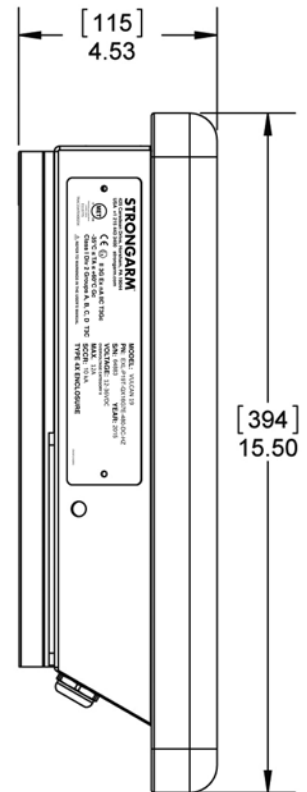


Side View

## 19" Vulcan

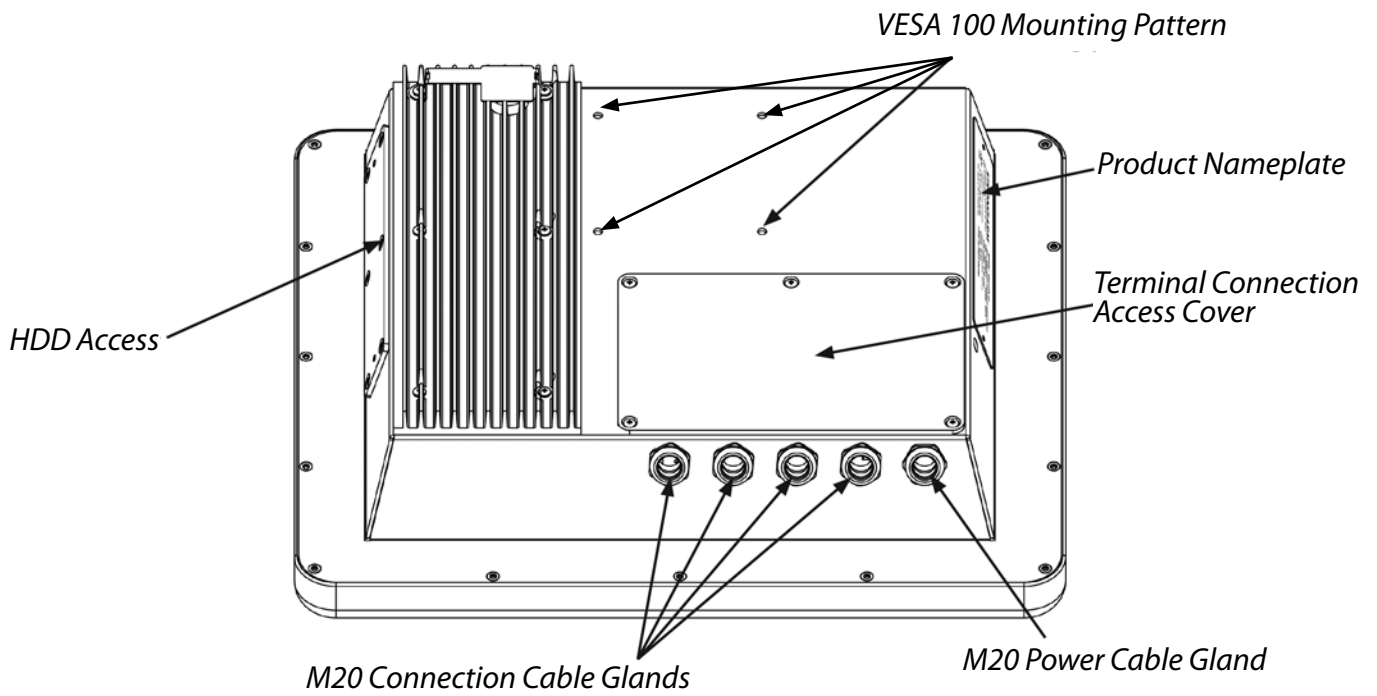
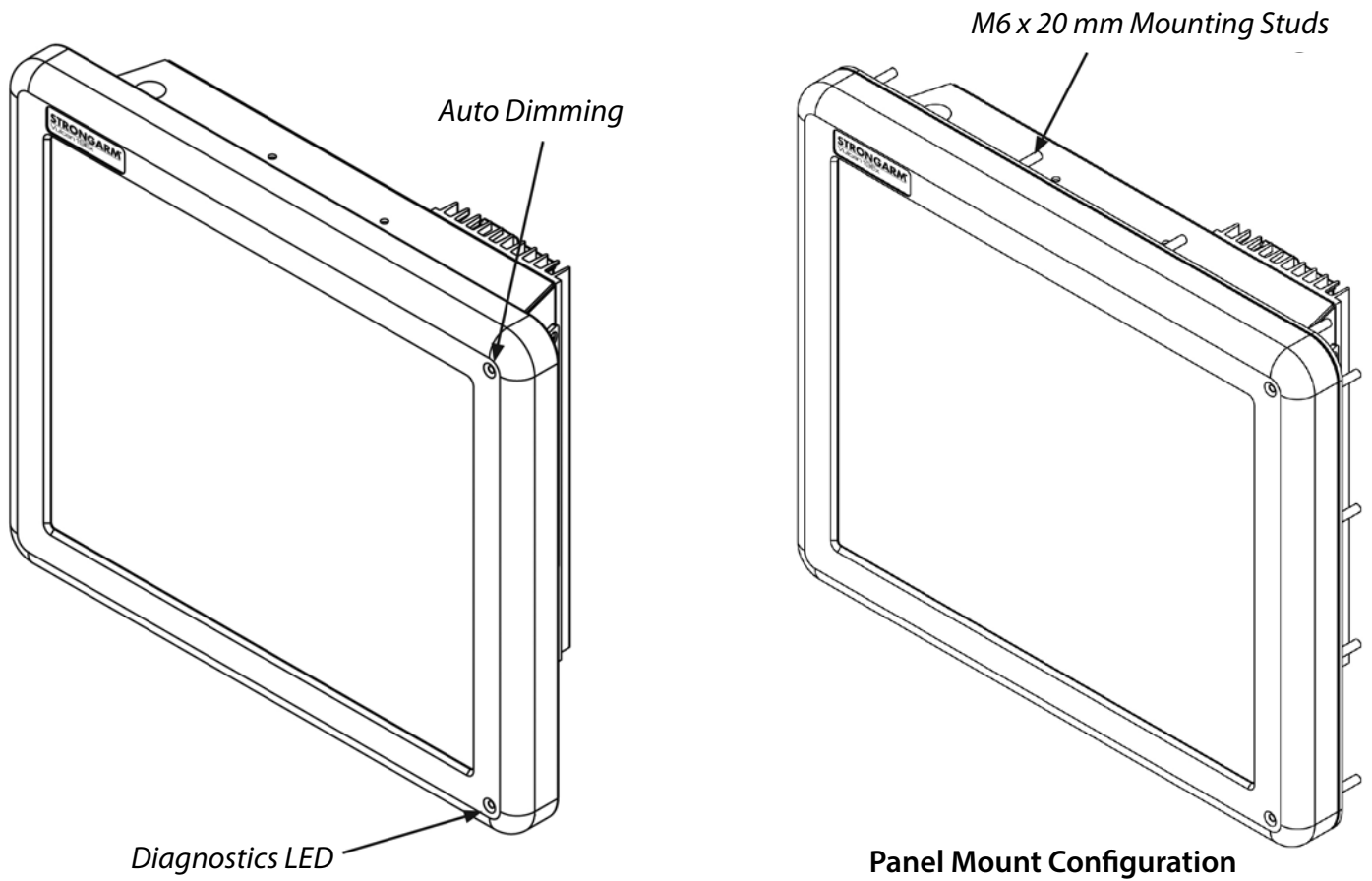


Front View



Side View

# Features & Options



# STRONGARM®

425 Caredean Drive • Horsham, PA 19044 • 215.443.3400 • 215.443.3002 • [strongarm.com](http://strongarm.com)

©2016 STRONGARM, Inc.

Publication VDSAS072010REV9