

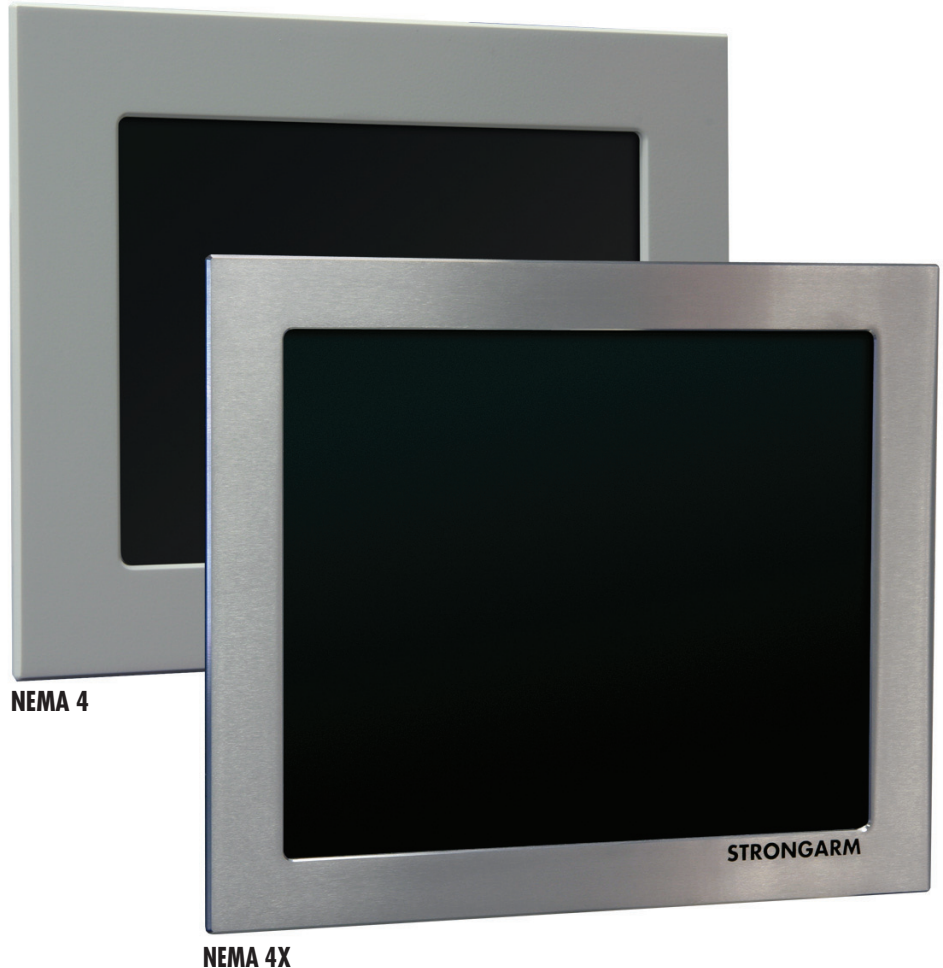
DATA SHEET

15.1" Flat Panel Industrial Displays

Premium Quality STRONGARM Built Displays (NEMA 12/4/4X)

Features

- ▶ Designed for harsh and demanding **industrial environments**.
- ▶ **NEMA 4/4X** for washdown and wipedown applications.
- ▶ **Precision-milled, Heavy-duty Bezels** ensure a longer display life.
- ▶ **Polycarbonate Viewing Windows** are scratch-resistant and UV-resistant.
- ▶ **Touchscreen Options** for every industrial environment.
- ▶ **Powder-coated Aluminum Bezels** can be provided with custom colors or choose from a variety of stock colors.
- ▶ **Private Labeling** available for OEM manufacturers.
- ▶ **Class I Div II Certified** when mounted in a classified enclosure.
- ▶ **Stainless Steel Bezels** come standard with a #4 satin brush finish. 304 and 316 SS options.
- ▶ **Available from Stock**
- ▶ **Standard 3 year warranty**
- ▶ **UL/cUL/CB Listed, Type 12/4 and 12/4/4X (IP 65/66)**



• Industrial Strength

STRONGARM's PanelMount Displays are designed to survive the most demanding industrial applications. The display elements are integrated directly into precision-milled aluminum or stainless steel bezels and are protected by polycarbonate windows, or various touch screen options.

• Current Technology

STRONGARM uses the most current technology available. You can be sure that the STRONGARM display you purchase today is not yesterday's trailing edge.

STRONGARM's unique combination of technology and industrial design makes us the industry leader in industrial displays for every application.

Touchscreen Specifications

Resistive Touchscreen *(for 90% of all touchscreen applications)*

The Resistive Touchscreen uses a glass panel overlay with a uniform resistive coating. A polyester coversheet is tightly suspended over the top of the glass, separated by small, transparent insulating dots. The coversheet has a hard durable coating on the outer side and a conductive coating on the inner side. When the screen is touched, the conductive coating makes electrical contact with the coating on the glass. The voltages produced are the analog representation of the position touched.

The controller digitizes these voltages and transmits them to the computer for processing.

Touch Activation Force	Less than 4 ounces, typical
Accuracy	0.080 inches, typical 0.180 inches, minimum
Touchpoint Density	4096 x 4096 or > 100,000 touchpoints/inch
Temperature	Exceeds display rating

Infrared Touchscreen *(for applications where touchscreen is exposed to extreme abuse)*

The Infrared Touchscreen relies on the interruption of an IR light grid in front of the display screen. Integrated into the display bezel is an opto-matrix frame that contains a row of IR-light emitting diodes (LEDs) and photo transistors, each mounted on two opposite sides to create a grid of invisible infrared light. The opto-matrix frame is isolated from the outside environment by an IR transparent barrier. The IR controller sequentially pulses the LEDs to create a grid of IR light beams. When a stylus, such as a finger, enters the grid, it obstructs the beams. One or more of the phototransistors detects the absence of light and transmits a signal that identifies the X and Y coordinates. Because the infrared scanning is done in front of the display, a bulletproof, 3/8" thick polycarbonate window is installed between the IR grid and the display itself. This window provides a level of environmental protection for the electronics that is unique to the infrared touchscreen technology.

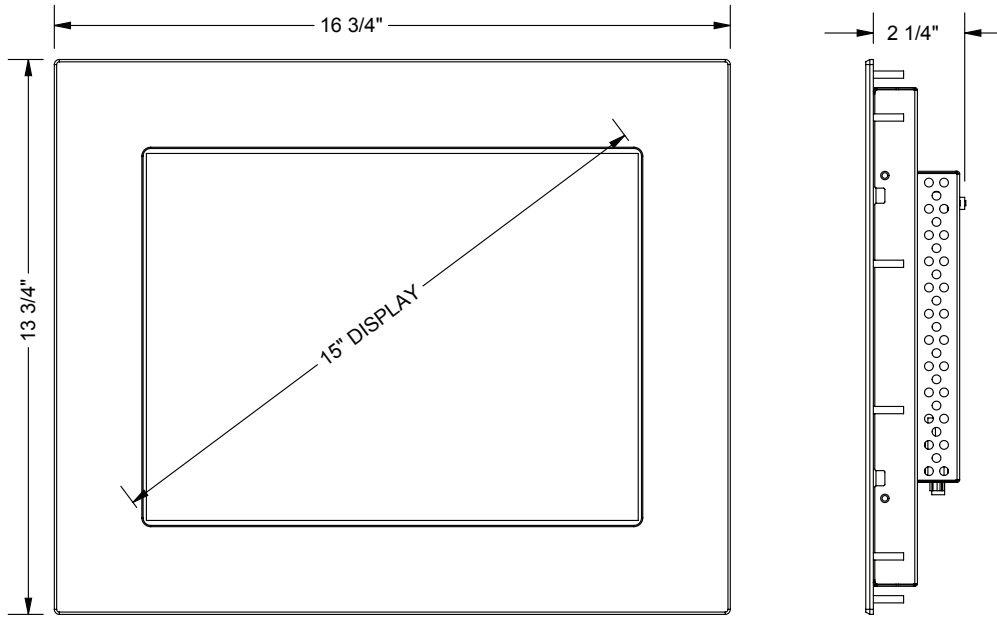
Touch Activation Force	No minimum required
Accuracy	0.047 inches (21 points/inch) typical, using stylus greater than ¼ inch diameter 0.22 inches (5 points/inch) minimum
Stylus	¼ inch diameter, minimum
Display Window	3/8 inch Lexan brand polycarbonate with Marguard surface treatment
Temperature	Exceeds display rating

STRONGARM®

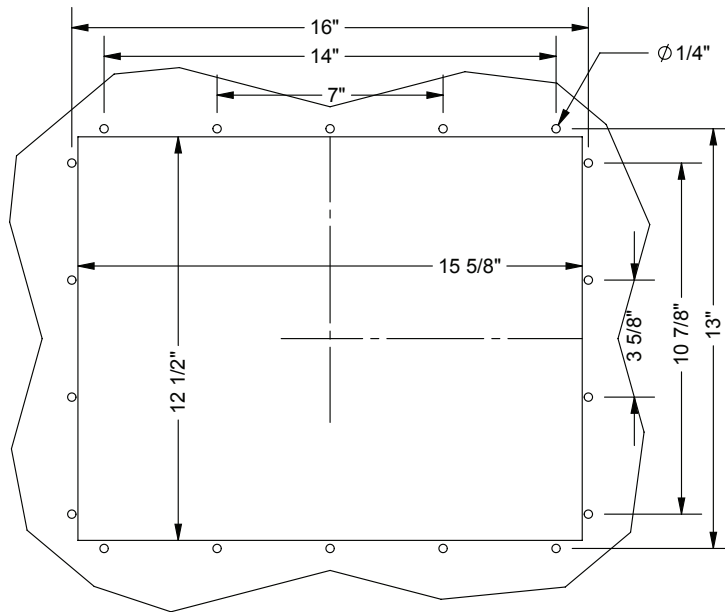
425 Caredean Drive · Horsham, PA 19044 · 215.443.3400 · Fax 215.443.3002 · www.strongarm.com

©2014 STRONGARM, Inc.

Dimensions



Cut-out Dimensions



STRONGARM®

425 Caredean Drive · Horsham, PA 19044 · 215.443.3400 · Fax 215.443.3002 · www.strongarm.com

©2014 STRONGARM, Inc.

Specifications

Display

Size:	15.1"
Brightness:	250 nits (Ultra HiBrite: 1200 nits)
Contrast Ratio:	700:1 (Ultra HiBrite: 850:1)
Native Resolution:	1024 x 768
Colors:	16.2 M



STRONGARM®

Model: 15.1 Industrial Monitor
100-240 VAC/50-60 HZ 1.4A
P/N: XXX-151XXX
MFG Date:

www.strongarm.com

Power

Consumption	19W (Ultra HiBrite: 50W)
Input	AC 100-240V~ 50/60Hz

Physical

Weight	No Touchscreen:	NEMA 4/12: 13.2 lb (6.0 kg)	NEMA 4X: 13.9 lb (6.3 kg)
	Resistive Touchscreen:	NEMA 4/12: 14.0 lb (6.3 kg)	NEMA 4X: 15.0 lb (6.8 kg)
	IR Touchscreen:	NEMA 4/12: 14.2 lb (6.4 kg)	NEMA 4X: 14.9 lb (6.7 kg)

Environmental

Operating Conditions

Temperature	32°F to 122°F (0°C to 50°C)
Humidity	10 % to 80 % non-Condensing

Storage Conditions

Temperature	-14°F to 140°F (-10°C to 60°C)
Humidity	5 % to 95 % non-Condensing

Ordering Information

NEMA Series

304	NEMA 4/12
404	NEMA 4X

Touchscreens

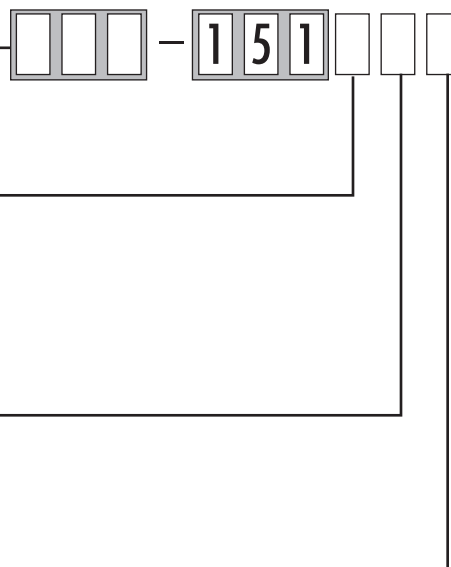
0	None
T	Resistive
G	Glass-Film-Glass Resistive
R	Infrared

Ultra HiBrite Options

0	None
H	Ultra HiBrite Sunlight Readable

Display Power Input

A	120-240 VAC
D	12 VDC
V	24 VDC



STRONGARM®

425 Caredean Drive · Horsham, PA 19044 · 215.443.3400 · Fax 215.443.3002 · www.strongarm.com

©2014 STRONGARM, Inc.