

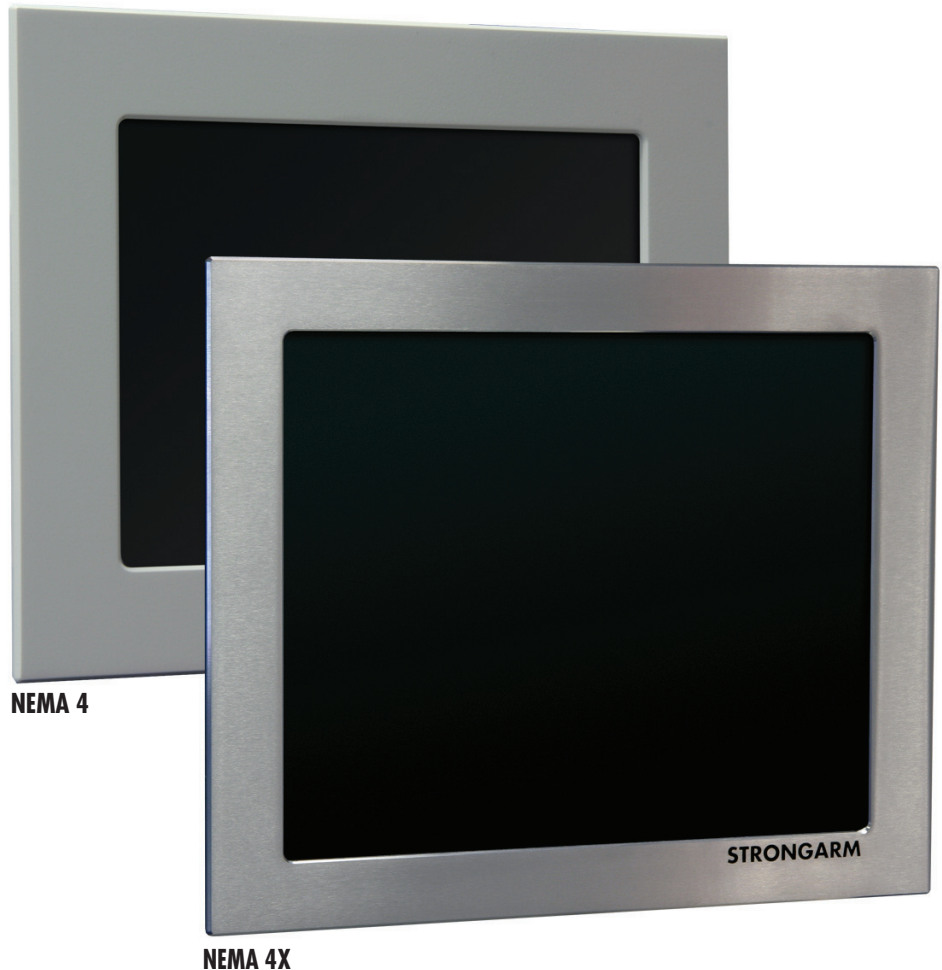
## DATA SHEET

# 19.1" Flat Panel Industrial Displays

Premium Quality STRONGARM Built Displays (NEMA 12/4/4X)

### Features

- ▶ Designed for harsh and demanding **industrial environments**.
- ▶ **NEMA 4/4X** for washdown and wipedown applications.
- ▶ **Precision-milled, Heavy-duty Bezels** ensure a longer display life.
- ▶ **Polycarbonate Viewing Windows** are scratch-resistant and UV-resistant.
- ▶ **Touchscreen Options** for every industrial environment.
- ▶ **Powder-coated Aluminum Bezels** can be provided with custom colors or choose from a variety of stock colors.
- ▶ **Private Labeling** available for OEM manufacturers.
- ▶ **Class I Div II Certified** when mounted in a classified enclosure.
- ▶ **Stainless Steel Bezels** come standard with a #4 satin brush finish. 304 and 316 SS options.
- ▶ **Available from Stock**
- ▶ **Standard 3 year warranty**
- ▶ **UL/cUL/CB Listed, Type 12/4 and 12/4/4X (IP 65/66)**



### • Industrial Strength

STRONGARM's PanelMount Displays are designed to survive the most demanding industrial applications. The display elements are integrated directly into precision-milled aluminum or stainless steel bezels and are protected by polycarbonate windows, or various touch screen options.

### • Current Technology

STRONGARM uses the most current technology available. You can be sure that the STRONGARM display you purchase today is not yesterday's trailing edge.

STRONGARM's unique combination of technology and industrial design makes us the industry leader in industrial displays for every application.

## Touchscreen Specifications

### **Resistive Touchscreen** *(for 90% of all touchscreen applications)*

The Resistive Touchscreen uses a glass panel overlay with a uniform resistive coating. A polyester coversheet is tightly suspended over the top of the glass, separated by small, transparent insulating dots. The coversheet has a hard durable coating on the outer side and a conductive coating on the inner side. When the screen is touched, the conductive coating makes electrical contact with the coating on the glass. The voltages produced are the analog representation of the position touched.

The controller digitizes these voltages and transmits them to the computer for processing.

<b>Touch Activation Force</b>	Less than 4 ounces, typical
<b>Accuracy</b>	0.080 inches, typical 0.180 inches, minimum
<b>Touchpoint Density</b>	4096 x 4096 or > 100,000 touchpoints/inch
<b>Temperature</b>	Exceeds display rating

### **Projected Capacitive**

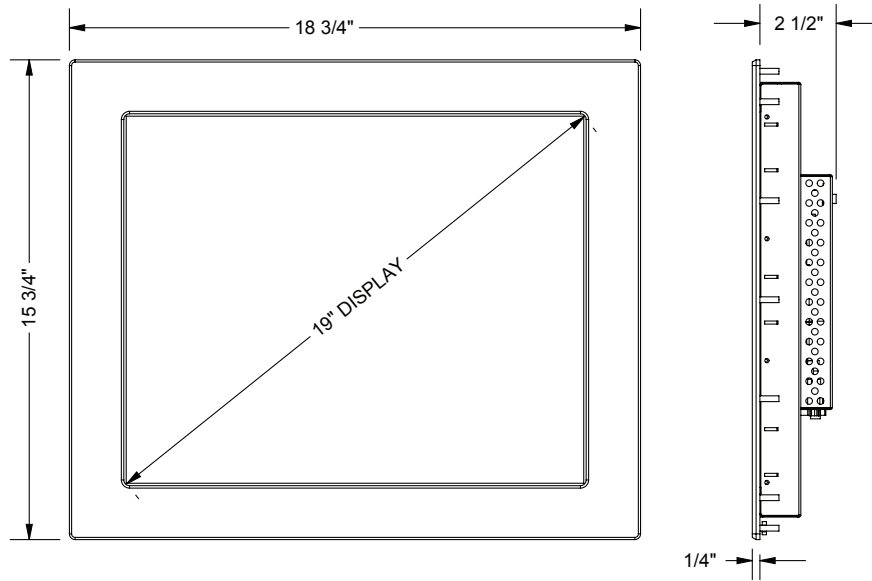
Also known as PCAP, projected capacitive touchscreens are a variant of the capacitive touch technology. PCAP touchscreens are made up of a matrix of rows and columns of conductive material layered on sheets of glass. The outer layer of vandal-proof glass can be up to 18mm in thickness. When the touchscreen is energized and a conductive object such as a finger comes into contact with the glass touch panel, it distorts the electrostatic field at that specific point. Even if the glass is scratched or broken it will still function properly. PCAP touchscreens work with gloves and are best suited for outdoor applications, as it works well in rain, snow, ice and dust.

# STRONGARM®

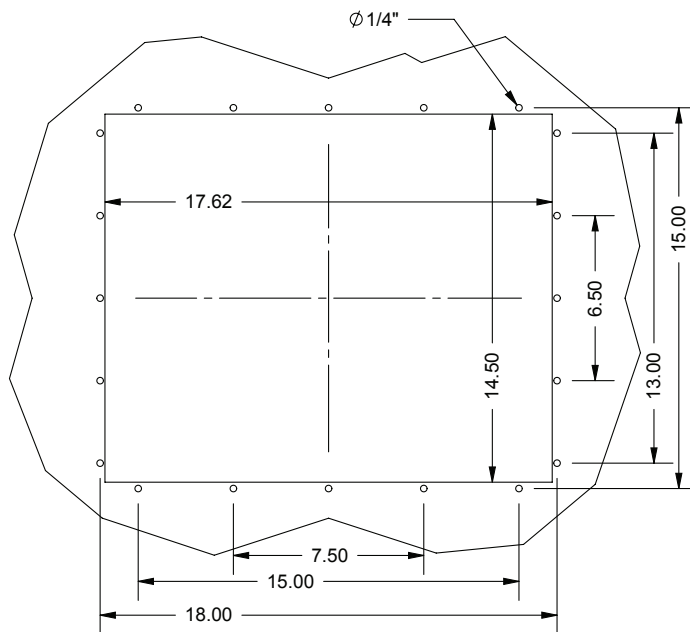
425 Caredean Drive · Horsham, PA 19044 · 215.443.3400 · Fax 215.443.3002 · [www.strongarm.com](http://www.strongarm.com)

©2014 STRONGARM, Inc.

## Dimensions



## Cut-out Dimensions



CUTOUT DETAIL

# STRONGARM®

425 Caredean Drive · Horsham, PA 19044 · 215.443.3400 · Fax 215.443.3002 · [www.strongarm.com](http://www.strongarm.com)

©2014 STRONGARM, Inc.

## Specifications

### Display

<b>Size:</b>	19.1"
<b>Brightness:</b>	250 nits (Ultra HiBrite: 1200 nits)
<b>Contrast Ratio:</b>	1000:1 (Ultra HiBrite:1100:1)
<b>Native Resolution:</b>	1280 x 1024
<b>Colors:</b>	16.7 M



### Power

<b>Consumption</b>	18W (Ultra HiBrite: 52W)
<b>Input</b>	AC 100-240V~ 50/60Hz

### Physical

<b>Weight</b>	No Touchscreen:	NEMA 4/12: 16.5 lb (7.5 kg)	NEMA 4X: 20.9 lb (9.5 kg)
	Resistive Touchscreen:	NEMA 4/12: 17.5 lb (7.9 kg)	NEMA 4X: 19.9 lb (9.0 kg)
	IR Touchscreen:	NEMA 4/12: 17.6 lb (8.0 kg)	NEMA 4X: 22.1 lb (10.0 kg)

### Environmental

#### Operating Conditions

**Temperature** 32°F to 122°F (0°C to 50°C) [Ultra HiBrite: 32°F to 140°F (0°C to 60°C)]

**Humidity** 10 % to 80 % non-Condensing

#### Storage Conditions

**Temperature** -4°F to 149°F (-20°C to 65°C)

**Humidity** 5 % to 95 % non-Condensing

## Ordering Information

### NEMA Series

**304** NEMA 4/12

**404** NEMA 4X

### Touchscreens

**0** None

**T** Resistive

**G** Glass-Film-Glass Resistive

**R** Infrared

**P** Projected Capacitive

### Ultra HiBrite Options

**0** None

**H** Ultra HiBrite Sunlight Readable

### Display Power Input

**A** 120-240 VAC

**D** 12 VDC

**V** 24 VDC



# STRONGARM®

425 Caredean Drive · Horsham, PA 19044 · 215.443.3400 · Fax 215.443.3002 · [www.strongarm.com](http://www.strongarm.com)

©2014 STRONGARM, Inc.