

DATA SHEET

21.5" Widescreen Flat Panel Industrial Displays

Premium Quality STRONGARM Built Displays (NEMA 12/4/4X)

Features

- ▶ Designed for harsh and demanding **industrial environments**.
- ▶ **NEMA 4/4X** for washdown and wipedown applications.
- ▶ **Precision-milled, Heavy-duty Bezels** ensure a longer display life.
- ▶ **Polycarbonate Viewing Windows** protect the LCD panel and are scratch-resistant.
- ▶ **Touchscreen Options** are available for every industrial environment.
- ▶ **LED Backlights** ensure vibrant, trouble-free operation (50,000 hour MTBF).
- ▶ **Powder-coated Aluminum Bezels** can be provided with custom colors.
(Private labeling for OEM manufacturers is also available.)
- ▶ **Stainless Steel Bezels** come standard with a #4 satin brush finish.
- ▶ **Available from Stock**
- ▶ **Standard 3 year warranty**
- ▶ **UL/cUL/CB Listed, Type 12/4 and 12/4/4X (IP 65/66)**



• Industrial Strength

STRONGARM's PanelMount Displays are designed to survive the most demanding industrial applications. Because the display elements are built into precision-milled, solid aluminum or stainless steel bezels and are protected by polycarbonate windows, they remain secure and protected from any environment.

• Current Technology

STRONGARM displays use the most current LCD technology available. You can be sure that the STRONGARM display you purchase today is not yesterday's trailing edge.

• LED Backlight Technology

Instead of cold cathode (CCFL) backlighting, the 21.5" STRONGARM display uses LED backlighting. The LED backlights allow for lower power consumption, thinner overall design, better heat dissipation, a brighter display, and better contrast levels.

STRONGARM's unique combination of technology and industrial design makes us the industry leader in quality HMI products for every application.

Touchscreen Specifications

Resistive Touchscreen

The Resistive Touchscreen uses a glass panel overlay with a uniform resistive coating. A polyester coversheet is tightly suspended over the top of the glass, separated by small, transparent insulating dots. The coversheet has a hard durable coating on the outer side and a conductive coating on the inner side. When the screen is touched, the conductive coating makes electrical contact with the coating on the glass. The voltages produced are the analog representation of the position touched. The controller digitizes these voltages and transmits them to the computer for processing. Resistive touchscreens work well with almost any stylus-like object, and can also be operated with gloved and bare fingers.

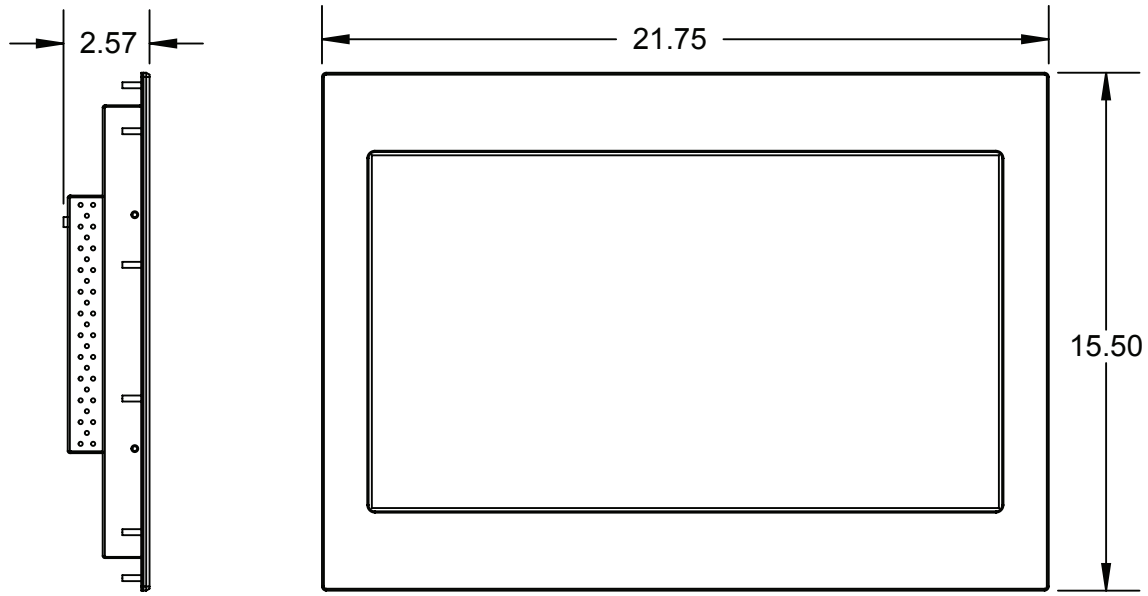
Touch Activation Force	Less than 4 ounces, typical
Accuracy	0.080 inches, typical 0.180 inches, minimum
Touchpoint Density	4096 x 4096 or > 100,000 touchpoints/inch
Temperature	Exceeds display rating

STRONGARM®

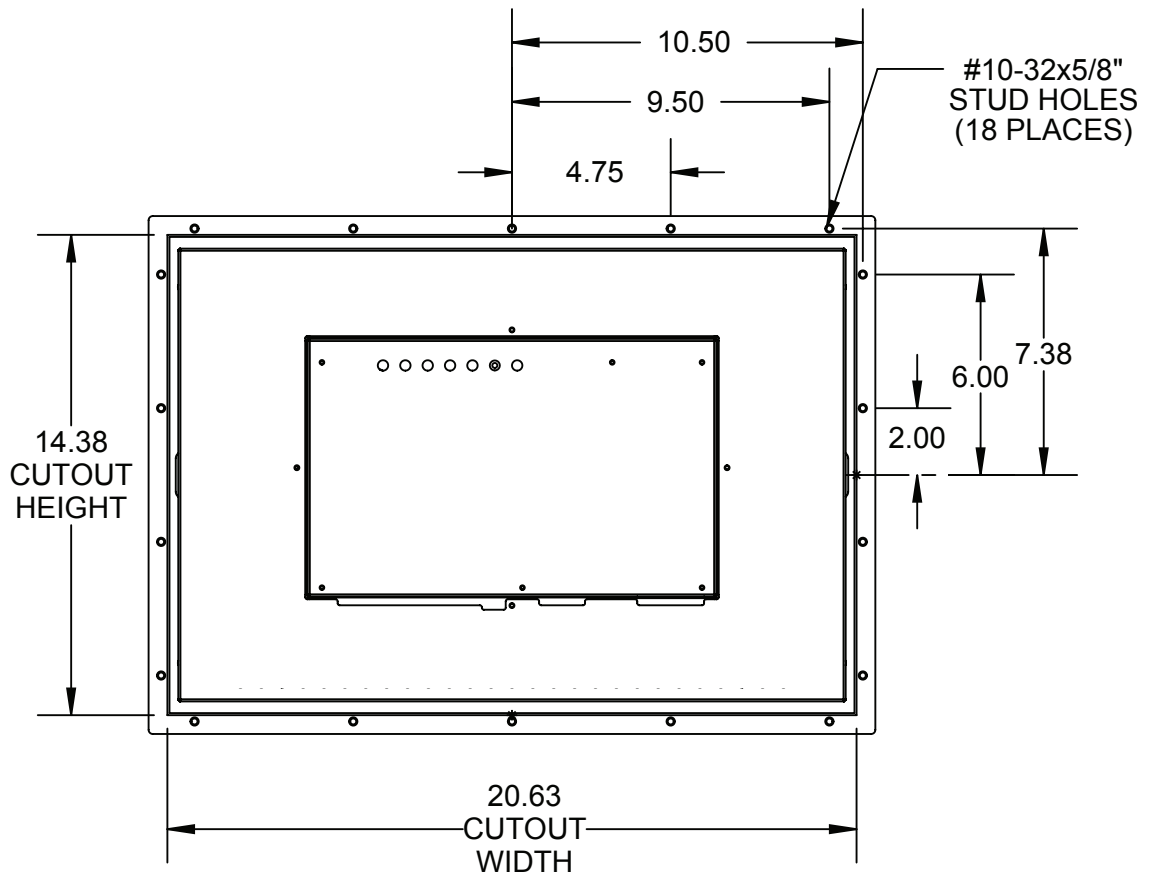
425 Caredean Drive · Horsham, PA 19044 · 215.443.3400 · Fax 215.443.3002 · www.strongarm.com

©2014 STRONGARM, Inc.

Dimensions



Cut-out Dimensions



STRONGARM®

425 Caredean Drive · Horsham, PA 19044 · 215.443.3400 · Fax 215.443.3002 · www.strongarm.com

©2014 STRONGARM, Inc.

Specifications

Display

Size:	21.5" (16:9 Aspect Ratio)
Brightness:	250 nits
Contrast Ratio:	1000:1
Native Resolution:	1920 x 1080
Colors:	16.7 M
Other Supported Resolutions:	1600 x 900, 1366 x 768, 1280 x 720



Power

Consumption	22W
Input	AC 90-264V~ 50/60Hz (1.4A max) DC 12-21.5V (6A max)

Environmental

Operating Conditions

Temperature	32°F to 122°F (0°C to 50 °C)
Humidity	20 % to 95 % non-Condensing

Storage Conditions

Temperature	-4°F to 140°F (-20°C to 60°C)
Humidity	5 % to 95 % non-Condensing

Physical

Weight	No Touchscreen:	NEMA 4/12: 19.4 lb (8.8 kg)	NEMA 4X: 20.4 lb (9.2 kg)
	Resistive Touchscreen:	NEMA 4/12: 19.5 lb (8.8 kg)	NEMA 4X: 20.5 lb (9.3 kg)

MTBF	50,000 hours
-------------	--------------

Connections

Video Input	DVI, VGA
Touchscreen Input	USB (B)
Power	IEC320 (AC) Terminal Block (DC)

Ordering Information

NEMA Series

304	NEMA 4/12
404	NEMA 4X



Touchscreens

0	None
T	Resistive

STRONGARM®

425 Caredean Drive · Horsham, PA 19044 · 215.443.3400 · Fax 215.443.3002 · www.strongarm.com

©2014 STRONGARM, Inc.